

INSTALLATION GUIDE HUB-102 Network Hub



WARNING



Do not open the shield cover unless totally familiar with electrical circuits.

Only qualified personnel should work inside the equipment.

Do not install the unit where it may be submerged in water.

Water in the unit can result in fire, electrical shock, or damage to the equipment.

Use only the supplied power cable.

Fire or damage to the equipment can result if a different power cable is used.

Do not disassemble or modify the equipment.

Fire, electrical shock, or serious injury can result.



CAUTION

Observe the following compass safe distances to prevent interference to a magnetic compass:

| | standard compass | steering compass |
|---------|------------------|------------------|
| HUB-102 | 0.05 m | 0.05 m |



FURUNO ELECTRIC CO., LTD.

<https://www.furuno.com/>

Specifications

| | | |
|--------------------------|---|------------------|
| Transmission speed | 10Mbps/100Mbps half/full duplex 1000Mbps full duplex | |
| I/O Ports | 5 ports | |
| Environmental conditions | Ambient temperature | -15 to 55 °C |
| | Relative humidity | 93% or less |
| | EMC | IEC 60945 Ed.4 |
| | Dustproofing, waterproofing | IP56 (IEC 60529) |
| Power supply | 12-24 VDC/0.2-0.1 A | |

Equipment List

| Name | Type | Part No. | Qty | Remarks |
|------------------------|---------------------|----------|-------|-------------------|
| Ethernet HUB | HUB-102 | - | 1 | |
| Installation materials | HUB-102-CBL-05 | - | 1 | Power cable assy. |
| | Self-tapping screws | - | 1 set | M3 screws (4pcs.) |
| | Installation Manual | - | 1 | |

Installation

Mounting considerations

The HUB-102 can be mounted on a desktop or a bulkhead. When choosing a mounting location, keep in mind the following points:

- Locate the unit where it will not be submerged in water.
- Keep the unit out of direct sunlight to prevent build up heat inside the cabinet.
- Cables should point down to prevent any possible water wicking.

Mounting

Fix the unit to the mounting location with four self-tapping screws, referring to the outline drawing in this manual.

Wiring

Interconnection

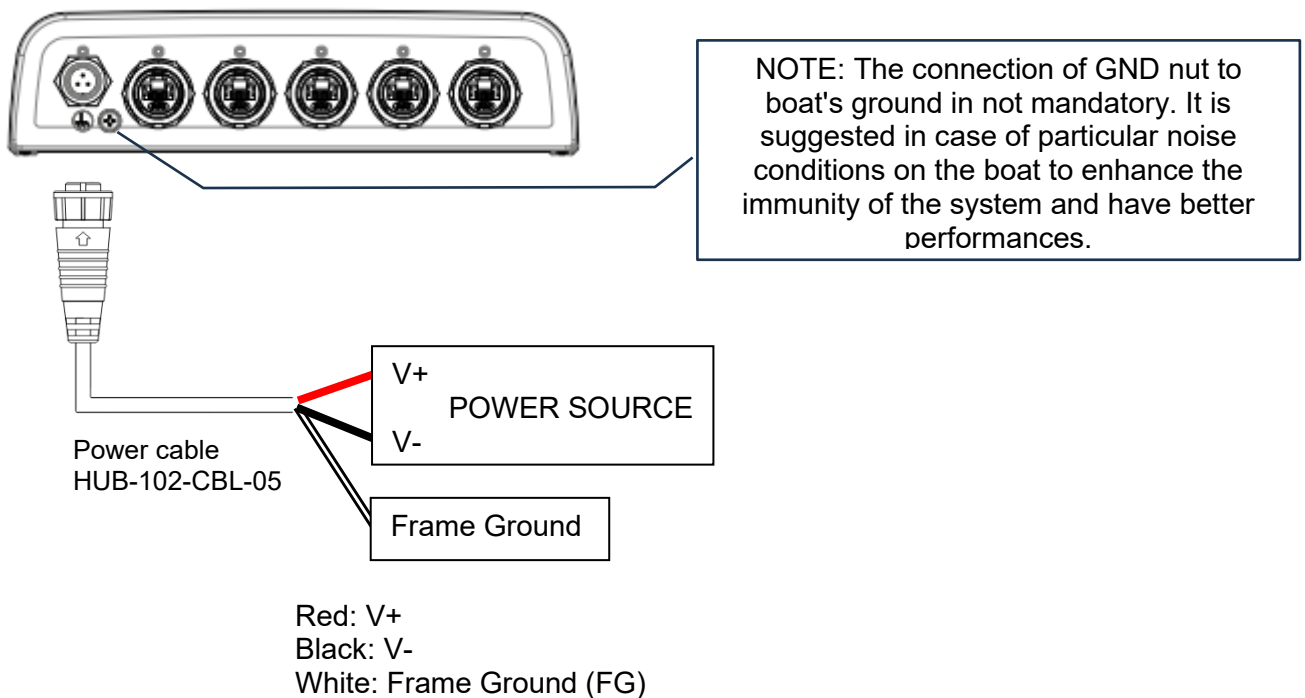
To connect NavNet equipment, use the optional cables shown below depending on the unit connected. (All cables below are shielded.)

| Connected unit | Type | Part No. | Cable length |
|--|------------------|----------------|--------------|
| Waterproof equipment (Waterproof RJ45 to Waterproof RJ45 Cable) | FRU-RZWPWP-002G | 001-653-250-00 | 2 m |
| | FRU-RZWPWP-005G | 001-653-260-00 | 5 m |
| | FRU-RZWPWP-010G | 001-653-270-00 | 10 m |
| Non-waterproof equipment (Waterproof RJ45 to Non- Waterproof RJ45 Cable) | FRU-RZWPNWP-002G | 001-646-960-00 | 2 m |
| | FRU-RZWPNWP-005G | 001-646-980-00 | 5 m |
| | FRU-RZWPNWP-010G | 001-647-000-00 | 10 m |
| Waterproof adapter cable | | WRJ-ADP-05M | 0.5 m |
| Multiple HUB-102 | | HUB-102-JMP | 0.5 m |

Power connection

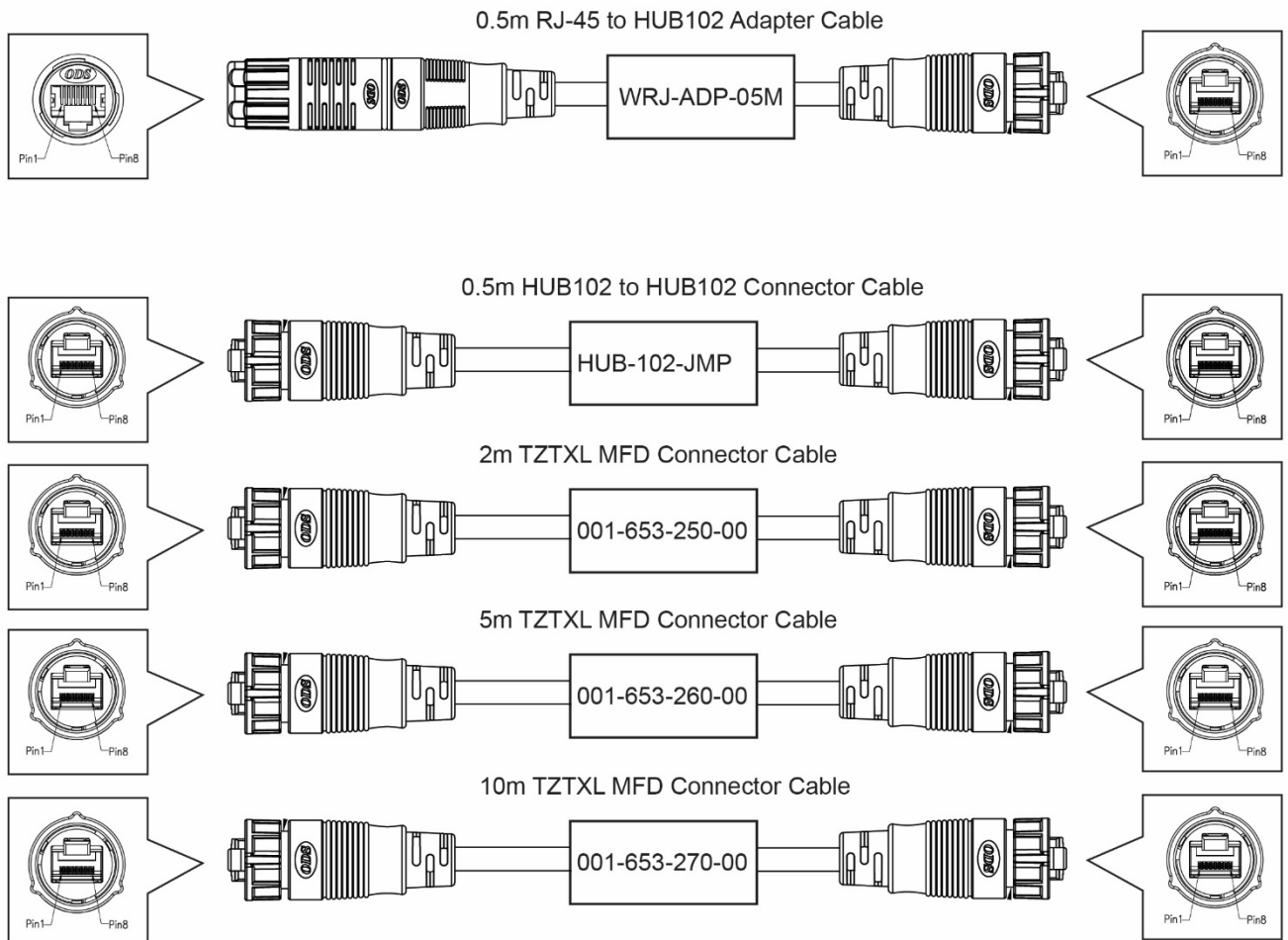
The HUB-102 power supply must be connected to a power source as follows:

The HUB-102 is protected by an internal auto resetting fuse.

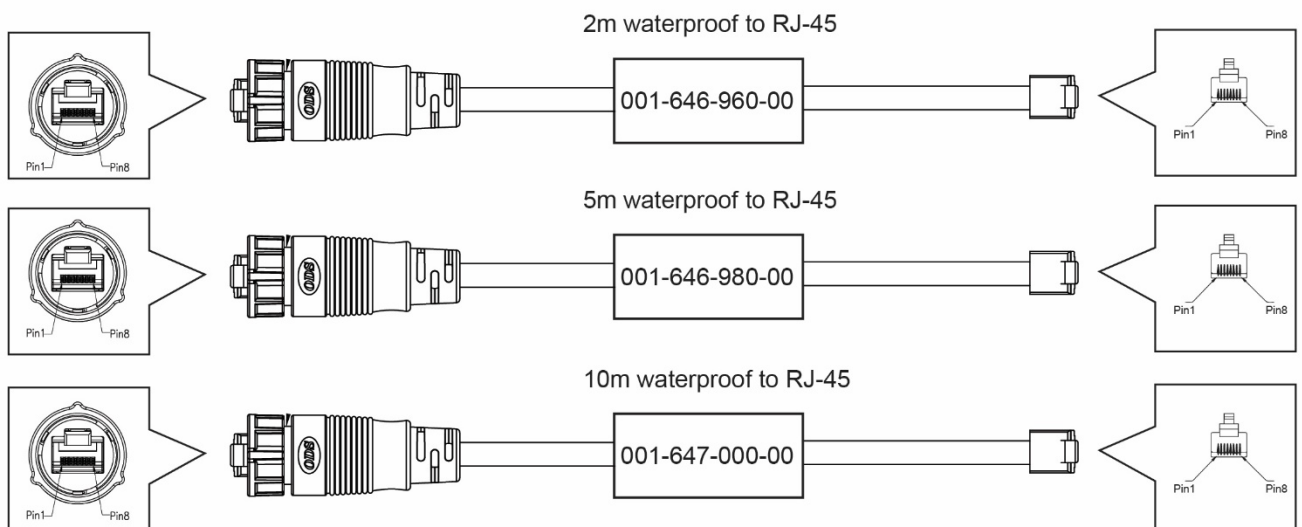


Optional cables

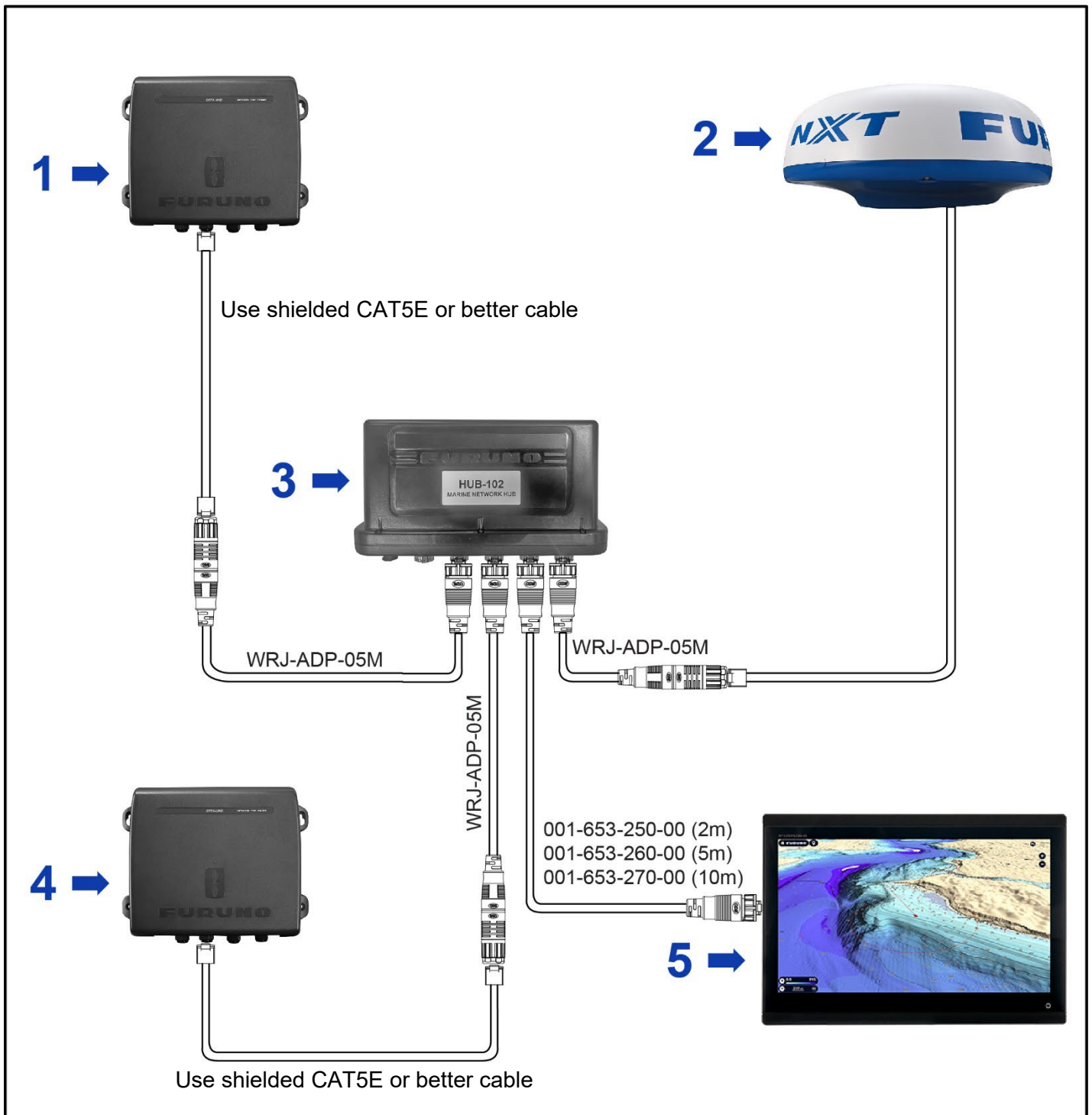
Ethernet waterproof to waterproof cables



Ethernet waterproof to non-waterproof cables

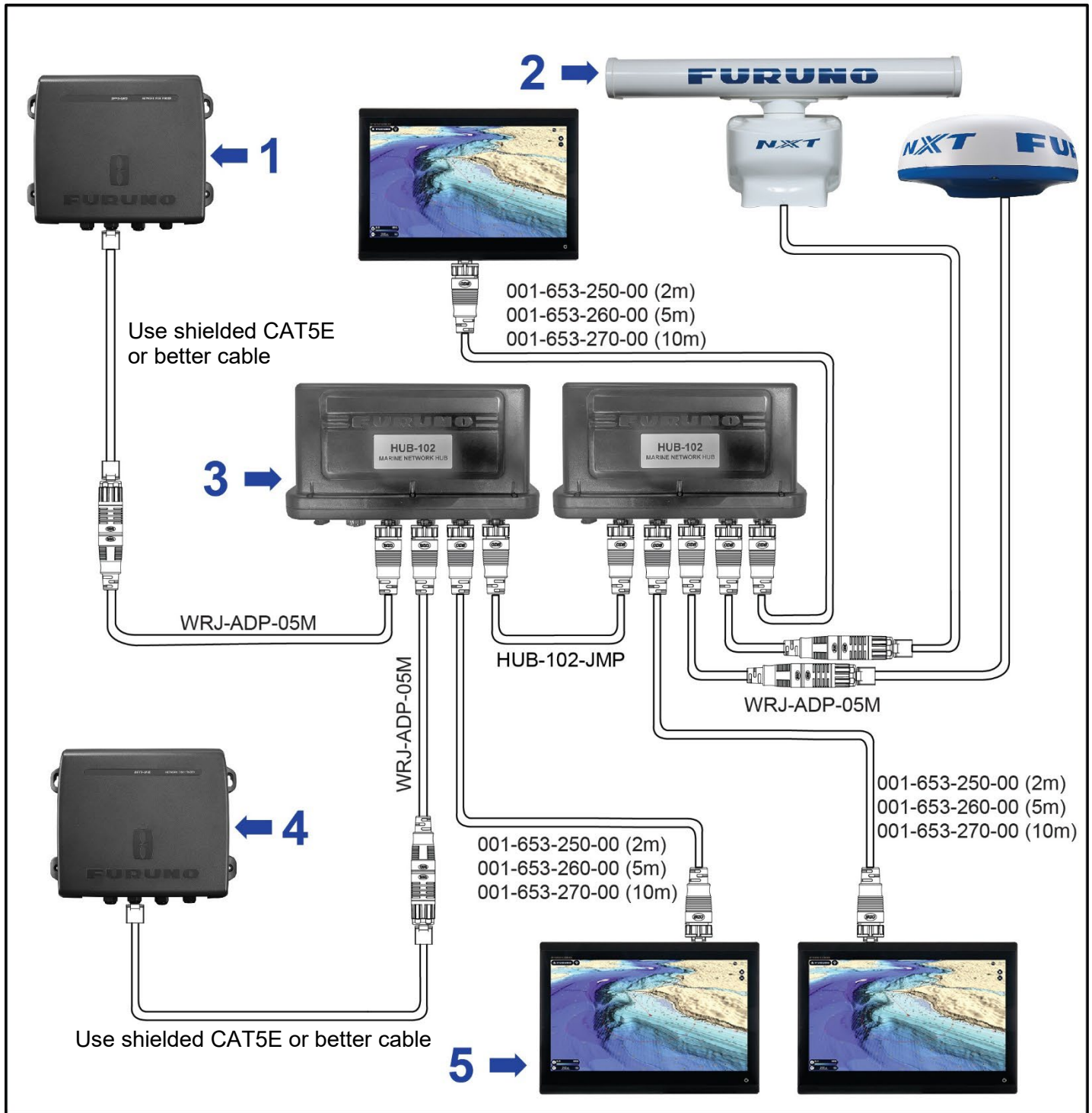


Example: Typical System



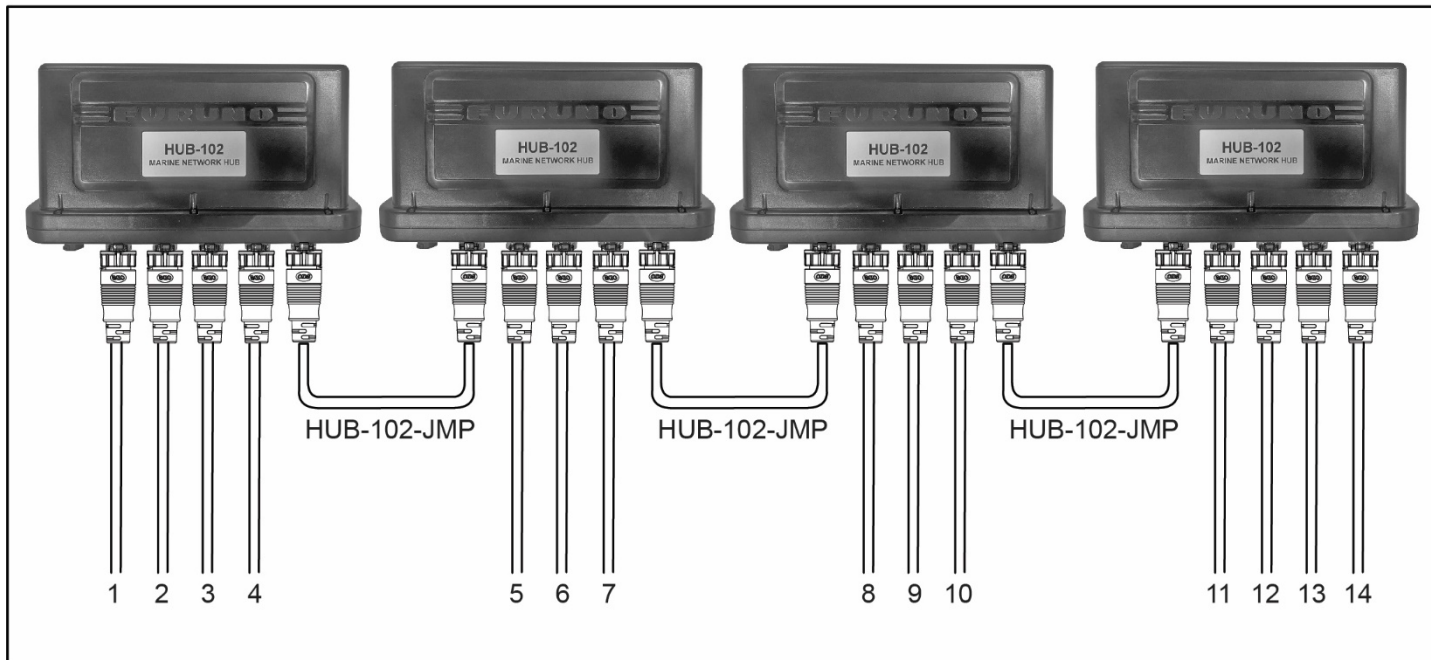
1. DFF3D Multibeam Sonar
2. Radar Antenna
3. HUB102 Network Switch
4. Network Fish Finder
5. Multi Function Display

Example: System connecting two HUB102's together

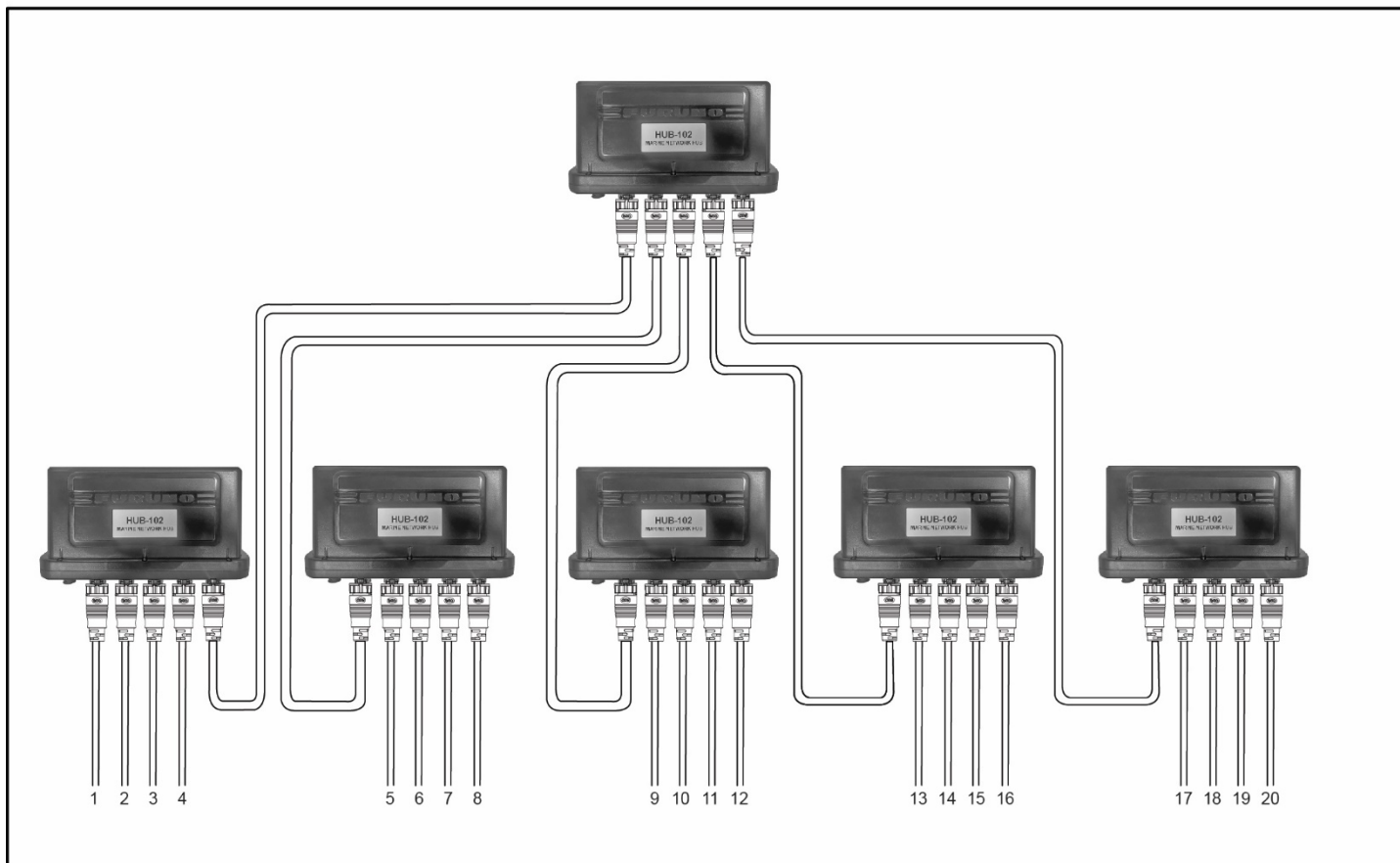


1. DFF3D Multibeam Sonar
2. DRS Radar
3. HUB102 Network Switches connected together to provide 8 ports
4. Network Fish Finder
5. Multi Function Displays

Connect up to 4 HUB102's in a daisy chain



To connect 5 HUB102's, connect per the diagram below



Turning Power on, LED function

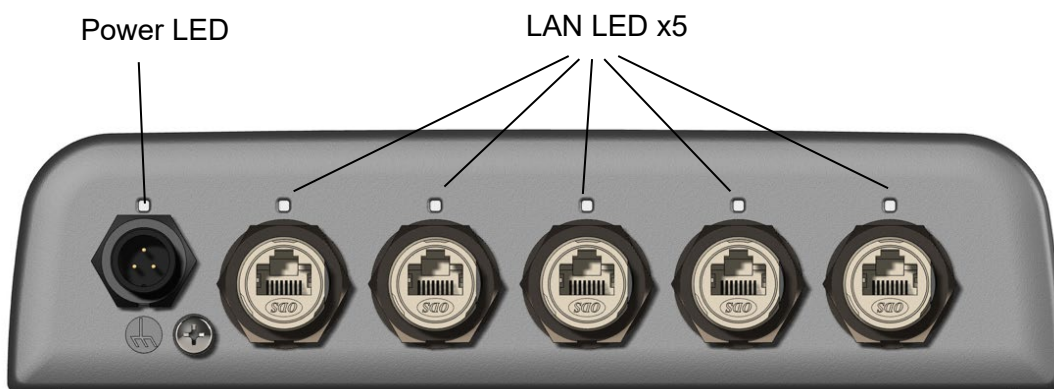
No operation is required by the user. Simply turn on the HUB-102's DC power source to power it.

LED display

There are LEDs to monitor power and LAN communication on the unit. The LEDs light, blink or go off according to equipment status as shown in the table below. When the equipment is powered on, LEDs light as following.

Power on sequence

- Power LED: ON
- LAN LEDs: Blink once, then go off.

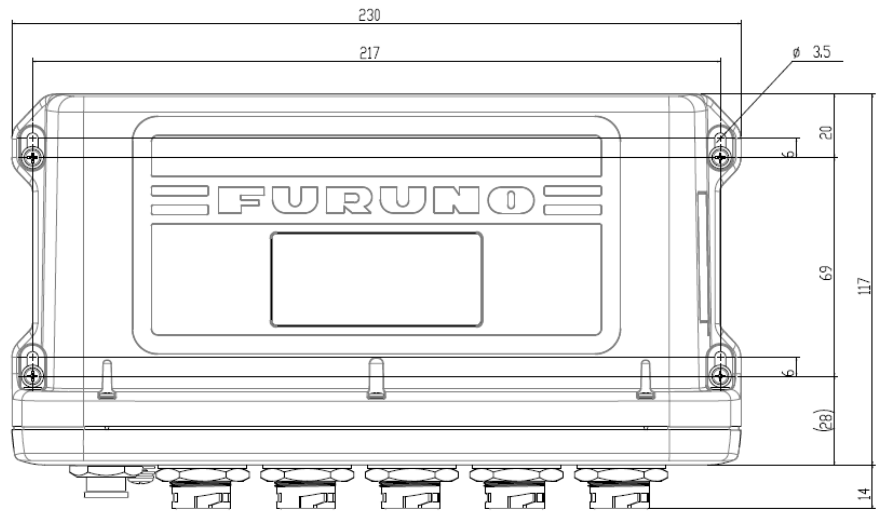
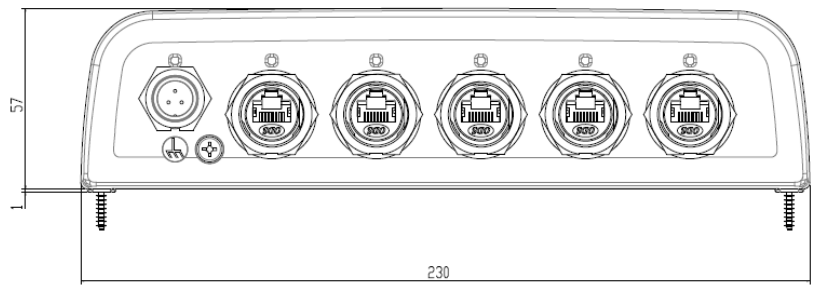
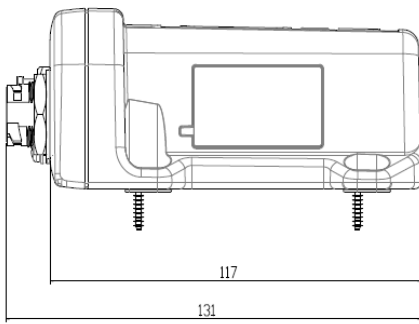


| LED | Status | Meaning |
|-----------------|-----------------------|--|
| Power (green) | On Off | Equipment powered Equipment off |
| LAN LED (green) | On Off Blinking | Connected to terminal Disconnected from terminal Data TX or RX |

Compatible model / unit

| | |
|-----------------------|---|
| NavNet MFD | TZT10X / TZT13X / TZT16X / TZT22X / TZT24X / TZTB BX TZT9F / TZT12F / TZT16F / TZT19F / TZT2BB |
| FLEX Function Display | SFD-1010 / SFD-1012 |
| Marine Radar | FR-10 / FR-12 MODEL1815 |
| Fish Finder | FCV-38 / FCV-2100 / FCV-1900G / FCV-1900B / FCV-1900 |

Dimension Drawing



MINIMUM SERVICE CLEARANCE

